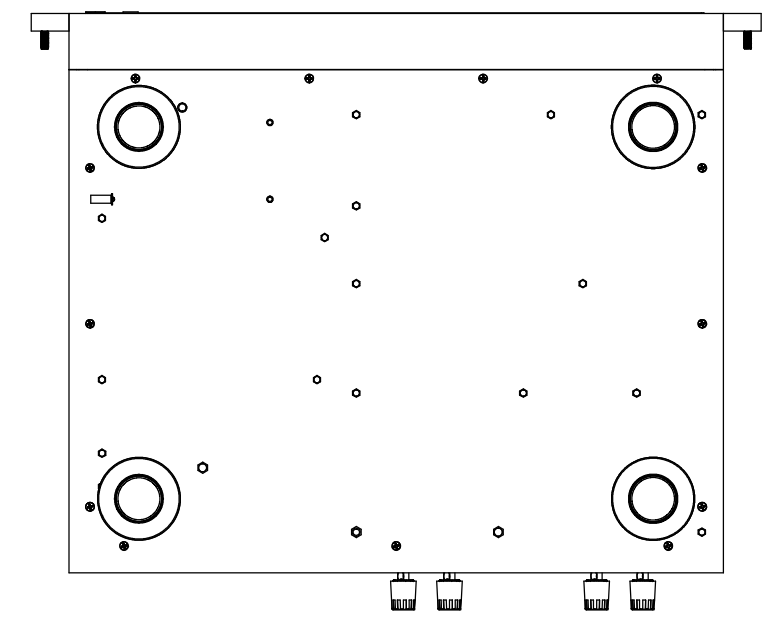
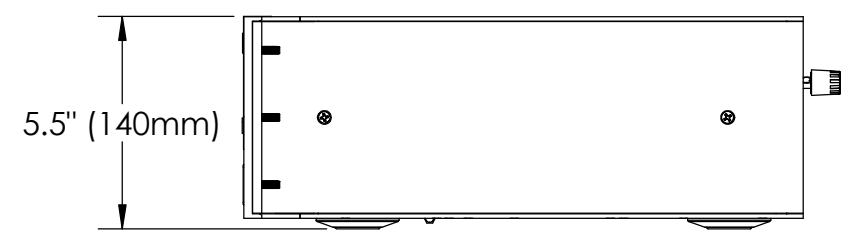
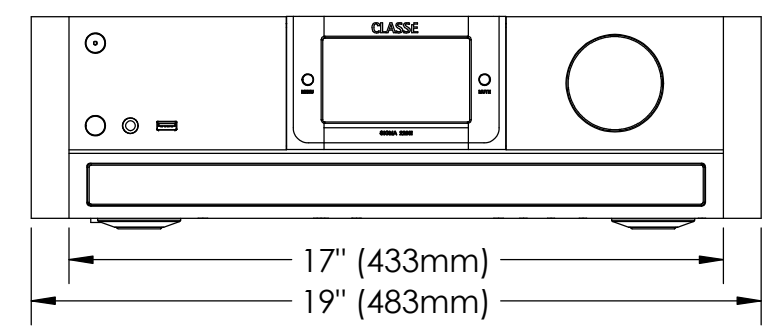
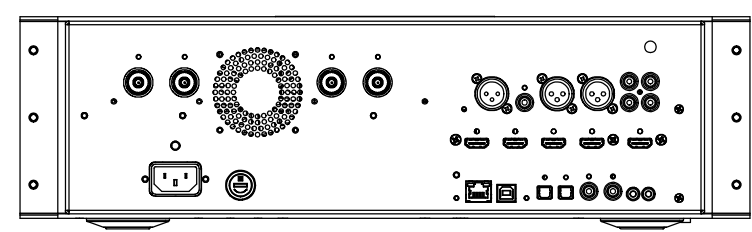
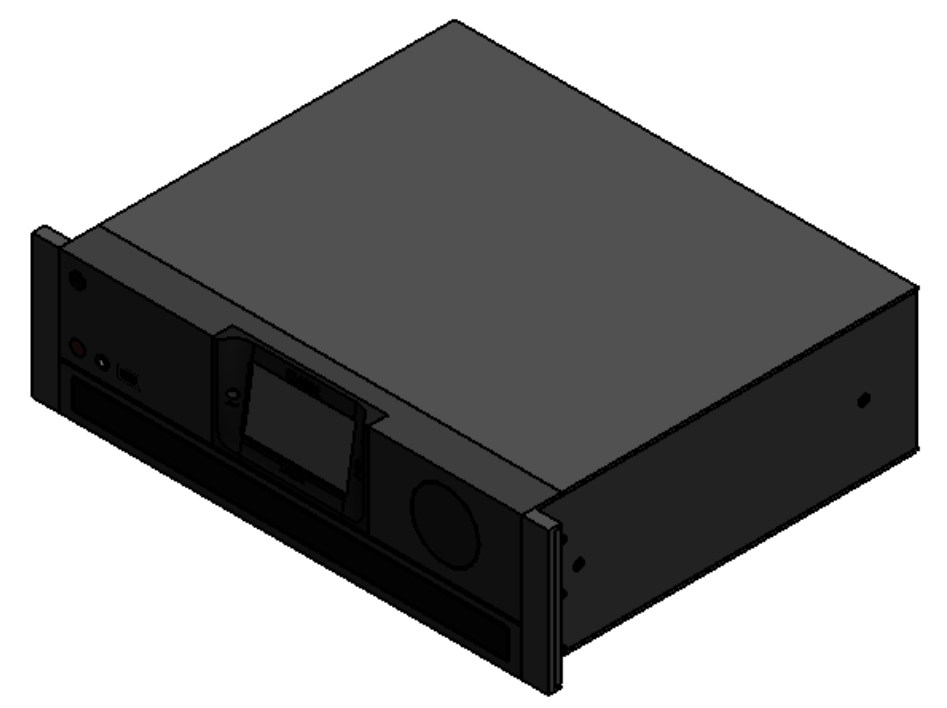
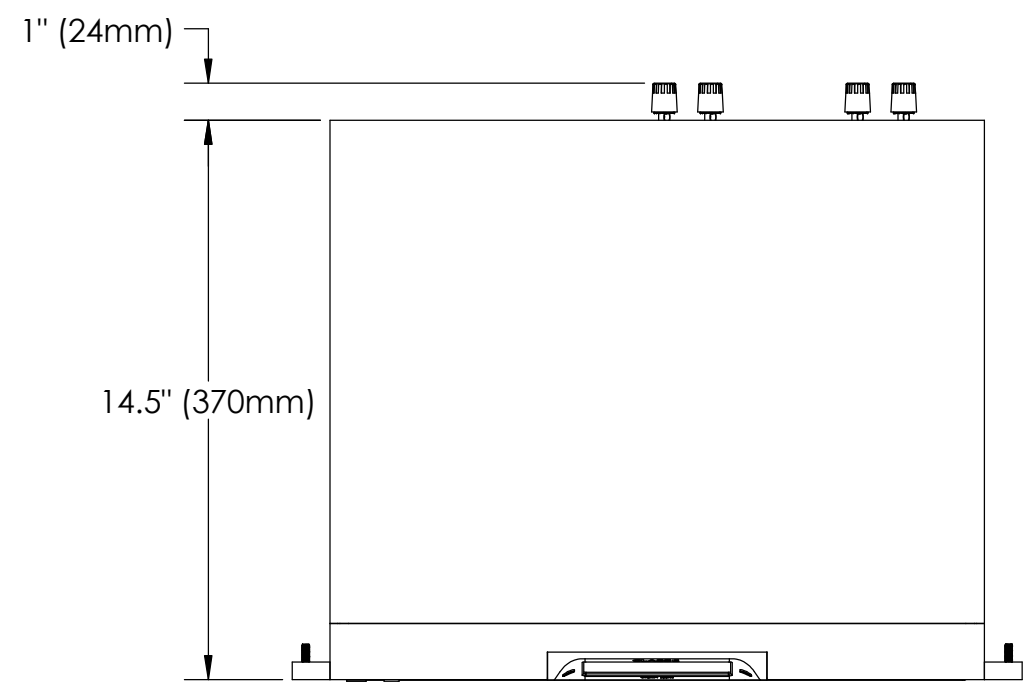


8 7 6 5 4 3 2 1

D  
C  
B  
A

D  
C  
B  
A



NOTE:  
THE DEFAULT WIDTH IS 17" (433mm).  
RACK MOUNT WIDTH IS 19" (483mm).  
SEE OWNER'S MANUAL FOR DETAILS.

**CLASSE** B&W Group Ltd.  
5070 FRANCOIS CUSSON  
LACHINE, QUEBEC, H8T 1B3  
T 514-636-6384 F 514-636-1428

DIMENSIONS				TITLE			
IF NOT SPECIFIED OTHERWISE DIMENSIONS ARE IN MILLIMETERS				SIGMA 2200i			
TOLERANCES				SUBJECT		PROJECT	
.X	.XX	.XXX	ANGLES	DETAIL DRAWING		N/A	
±1	±0.5	±0.25	±1°	DRW BY	DATE	MATERIAL	
SHEET SIZE - B				CLASSE	6/27/2017	N/A	
STATUS				CLASSE PART NUMBER		FINISH	
1:5				N/A		N/A	
DRAWING NO				REV		SHEET: 1 OF 1	
A8B00				00			

8 7 6 5 4 3 2 1